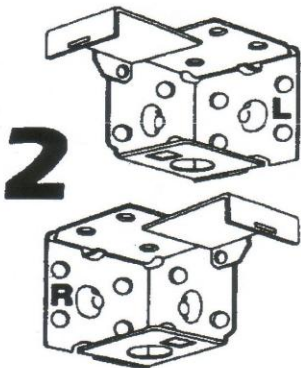
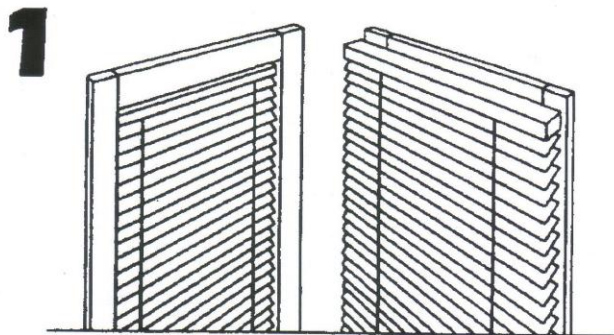


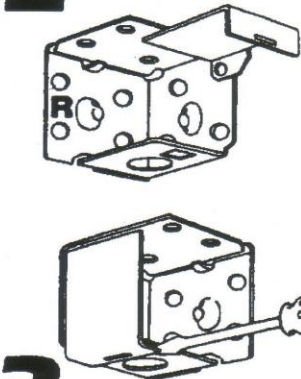
2" & 2 1/2" Faux and Premium Wood Horizontal Blinds

INSTALLATION INSTRUCTIONS

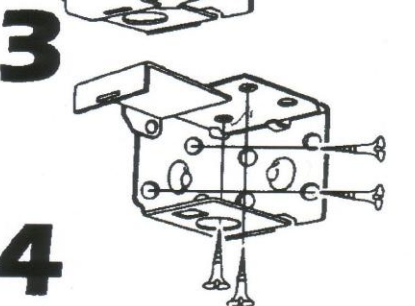
Your package contains installation brackets and screws for mounting the blind either inside or outside the window casing (fig. 1).



The two end brackets are marked "L" and "R" to indicate left and right (fig. 2). The rotating safety lock covers will secure the blind firmly in place. First, open lock covers by inserting screwdriver in rectangular slot and twisting (fig. 3).



Brackets are mounted with two screws each. Once mounting position has been selected, hold bracket in place and make pencil marks through two diagonal holes (fig. 4).



Screw positions should be more than 1/4" from edge to avoid splitting.

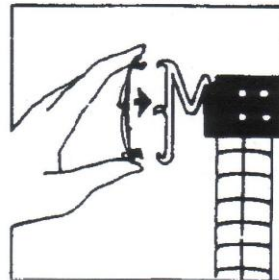
Please Note : The brackets you have received are universal mounting brackets, meaning they can be mounted to either the ceiling or the wall. Only 2 screws are needed, more can be used if blind is large.

OPENING THE LOCK COVER : If you are experiencing difficulties opening the cover try pushing on the bottom plate (where the cover locks onto) to release some of the tension and flipping open the cover with your other thumb.

CENTER SUPPORTS : To screw in the center supports you will need to use a 3" long Robertson #2 screw bit.



VALANCE



PLEASE NOTE :

TO RAISE YOUR BLIND : Pull the lift cord in a downwards motion towards the center of the blind. To lock the blind in place pull the lift cord slightly to the outside.

TO LOWER YOUR BLIND : Pull the lift cord towards the center of the blind and slightly higher than you would to raise the blind, to release the locking mechanism, and guide the blind down to desired length. If you are not lowering the blind to the bottom of the window you will need to pull slightly to the outside to lock the blind in place.

Please note : On larger blinds, you may have to give your blind a supporting hand by lifting the center of the blind slightly to release any tension created by the weight of your blind.

VALANCES : Depending on the style of valance you ordered some come with clips that clip over top and underneath the valance, like in the picture above. The other style is call a hidden clip, this clip is smaller and hides behind the valance and clips into a groove in the back of the valance.

RETURNS : (if ordered) If you ordered Fauxwood you will find some clear plastic corner pieces that you slide onto the end of the valance to attach your returns. If you ordered Real Wood you will have to glue your returns on with hot glue.

DOOR BLINDS : If you have ordered a door blind you will find hold down brackets that attach to the bottom of your blind by small metal pegs in the end of the bottom rail and held securely by attaching the bracket to your door.