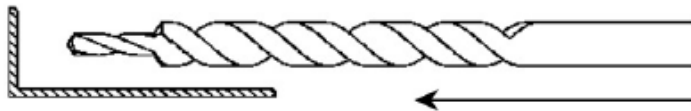
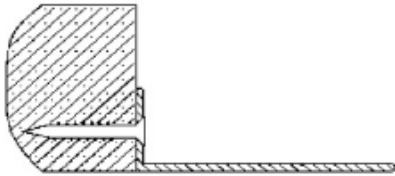


## INSTALLATION

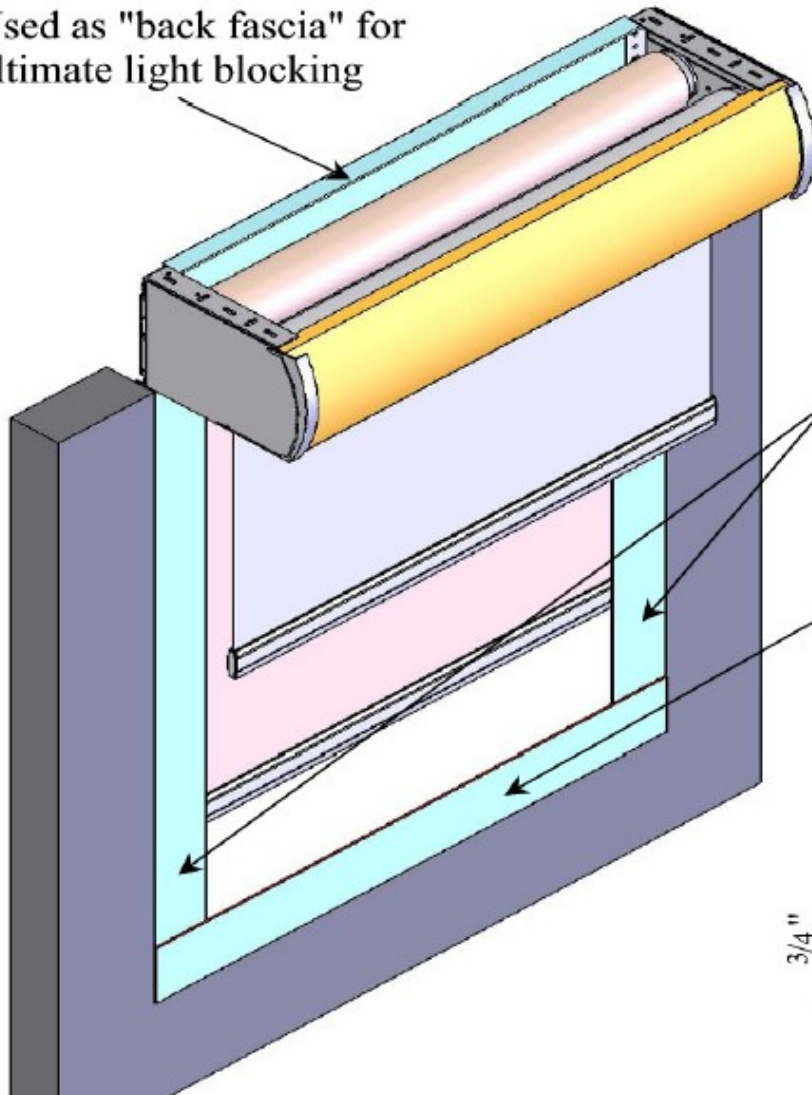


**STEP #1**  
Drill holes on L-Channel using step drill at approx. 12" apart.



**STEP #2**  
Secure L-Channel to wall using #8 wood screw flat head (recommended).

Used as "back fascia" for ultimate light blocking



## APPLICATIONS

Cost-effective alternative to side channels. (inside mount only)

Used as "bottom closure"

