

Mounting Options

Inside mount: Blind is mounted inside the window frame, either to the top of the frame or to the sides.
Outside mount: Blind is mounted either on or outside the window frame.


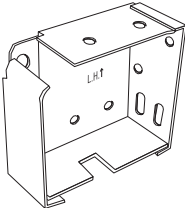
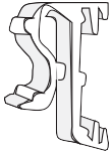


Note: Mounting screws provided are suitable for most mounting surfaces. See below for additional suggestions.

For concrete, stone, brick or tile: Use an appropriate drill and appropriate anchors before fastening the screws.



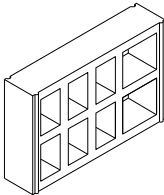
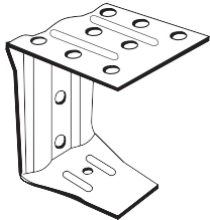
For metal surfaces: Pre-drill holes and use an appropriate anchors before fastening the screws.

- | |
|---|
| <p>Suggested Tools</p> <ul style="list-style-type: none"> • Drill • Level • Pencil • Screwdriver • Tape measure |
|---|

Parts

 <p>Screws Quantity: 2 per bracket</p>	 <p>Box bracket Quantity: 2</p>	 <p>Valance clip (most 2" real wood blinds) Quantity: 2 or more depending on width of blinds</p>	<p>or</p>  <p>Valance clip (1" aluminum blinds) Quantity: 2 or more depending on width of blind</p>	<p>or</p>  <p>Valance clip (most 2" faux wood blinds) Quantity: 2 or more depending on width of blind</p>
--	--	---	--	--

Optional Hardware (only provided for specific applications)

 <p>Side Return 'L' Clips Quantity: 2 (only if side returns are not glued)</p>	 <p>Hold down brackets (to hold the bottom rail of the blind in place, i.e. for a door window)</p>	 <p>Spacer blocks (to bring the blind away from window/frame/wall)</p>	 <p>Center support bracket (used with box brackets for blinds wider than 44")</p>
---	---	--	--

Getting started

Mounting Options *(please refer only to direction for mounting option specified in your order.)*

Inside mount: Blind is mounted inside the window frame.

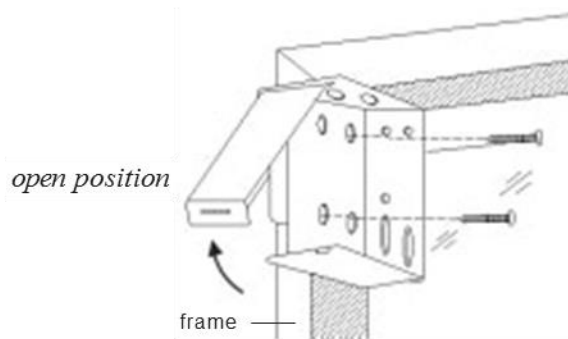
Outside mount: Blind is mounted either on or outside the window frame.

Step 1. Mounting brackets

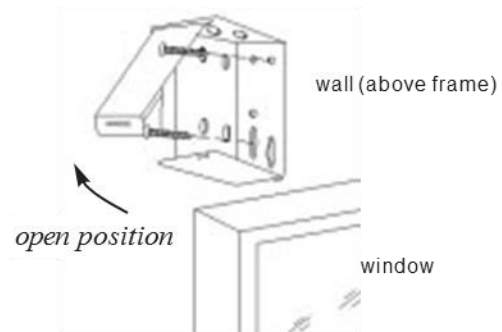
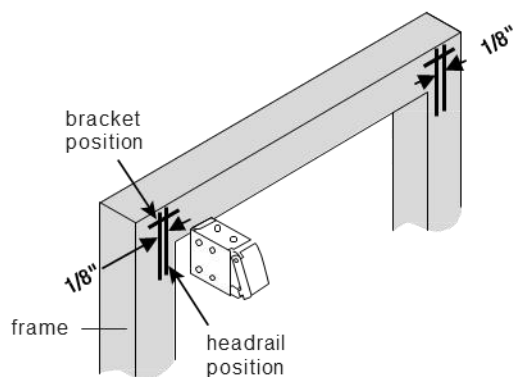
1. The brackets should be positioned **approximately 9"** in from each end of the headrail. **If necessary, adjust the position of the brackets to avoid interfering with the operating components inside the headrail.**
2. Using 2 screws per bracket, fasten the brackets to the mounting surface. Leave brackets in open position.

If using box brackets

Inside mount – mount brackets in the corners of the frame.

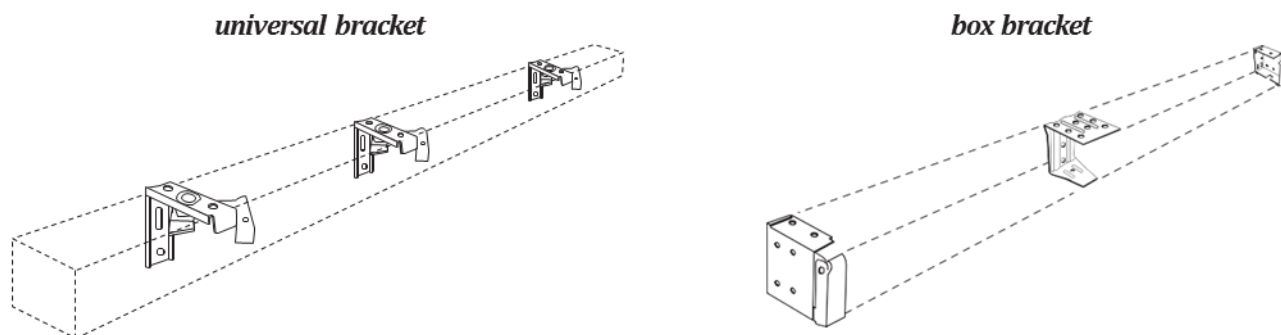


Outside mount - outside edge of the bracket should be positioned 1/8" to outside of the headrail end mark. Mark position of the bracket as illustrated.



Step 2. Mounting center support brackets *(only for blinds over 44" wide)*

1. When only one center support bracket is provided, position the center bracket in the center of the two mounting brackets. The center bracket can be 2" to 3" to the right or left of center to make sure it does not interfere with mechanical components of your blind.



If more than one center support bracket is provided, they should be spaced evenly between the two mounting brackets.

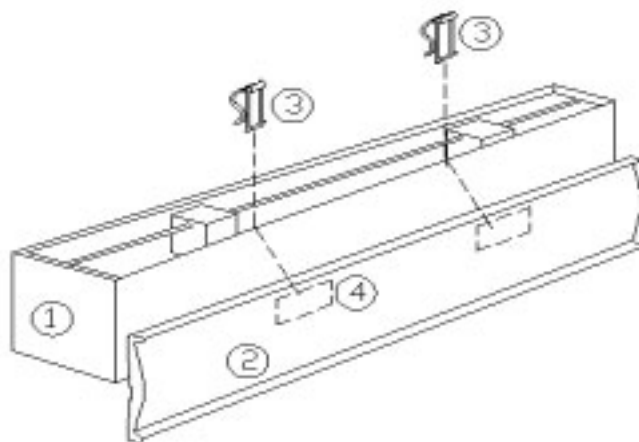
2. Using 2 screws per bracket, fasten the bracket(s) to your window frame or wall. For inside mount, use the top holes. For outside mount, use the back holes.

Step 3. Installing the blind into the brackets (for most real wood blinds)

(for most blinds, 2 people are required for this step)

Your blinds come with protective end caps on the headrail. It is at your discretion to keep it or remove them. It will not affect the look after the installation is completed.

1. Hold the *valance* (2) up to the *headrail* (1) to determine the position of the *valance clips* (3). The clips should align to the stapled *plastic plates/grove* (4) on the back of your valance.

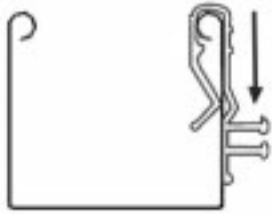


Step 4 (cont). Installing the blind into the brackets (*for most blinds, 2 people are required for this step*)

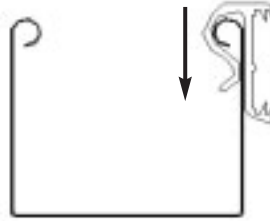
2. Important step ▶(Fig. A) Clip the valance clips onto the headrail. DO NOT attach valance at this time.

Fig. A

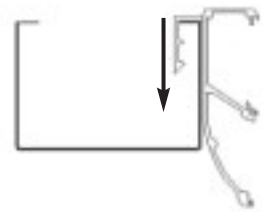
most 2" faux wood blinds



most 2" real wood blinds



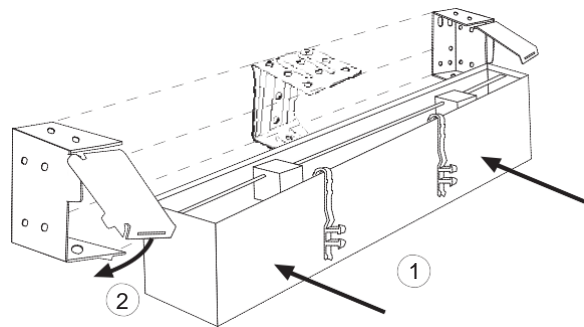
1" aluminum blinds



3. (Fig. B) Make sure the blind is in closed position to make this step easier. Fit the *headrail* (1) into the brackets and close the *swing flaps* (2).

Fig. B

Box brackets



Step 5. Attaching the valance

Hold the valance up to the headrail and clip the valance to the valance clips as illustrated in fig. A or B.

most 2" faux wood blinds

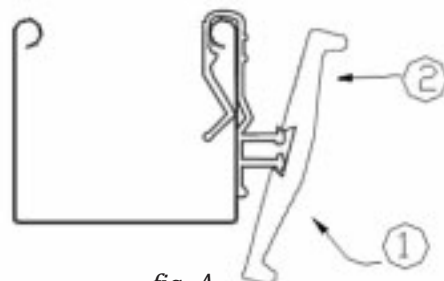


fig. A

most 2" real wood blinds

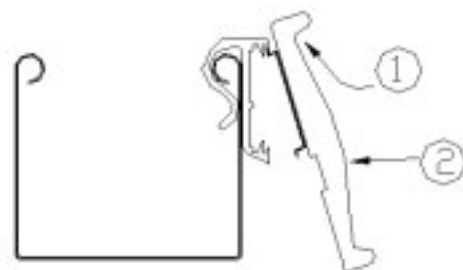


fig. B

Step 6. Installing the valance side returns (if not pre-glued)

(if you ordered for outside mount installation)

1. Locate the channel on the back of the valance and one side return, inserting the plastic 'L' clip in each mitered edge.
2. Repeat with other side return, making sure they fit snugly together.
3. Install assembled valance as illustrated in Step 5.

